

Homeowners Tips Sheets

Dishwasher

Vacuum breakers-Air gaps
and High loops

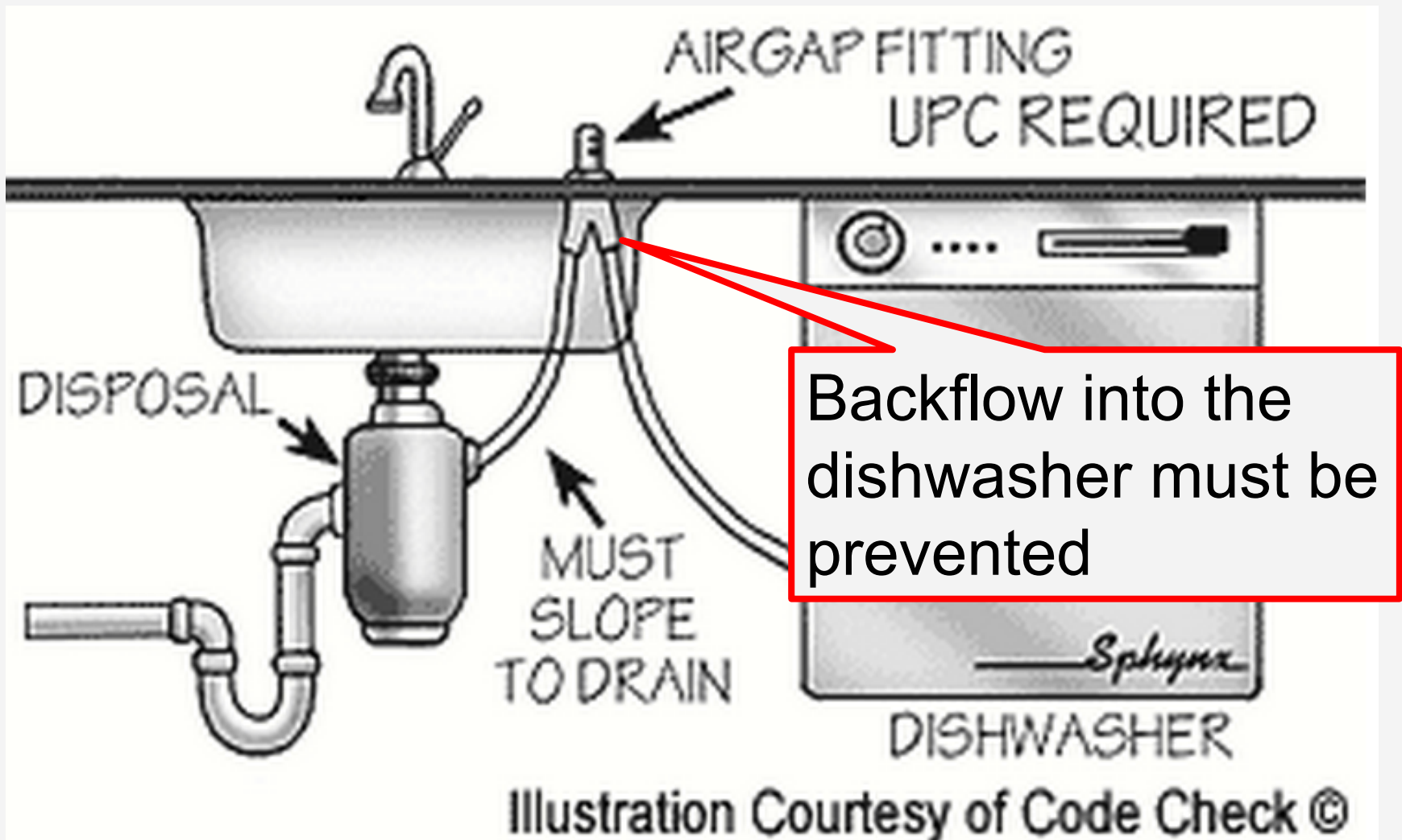


**School of
Professional
Home Inspection**

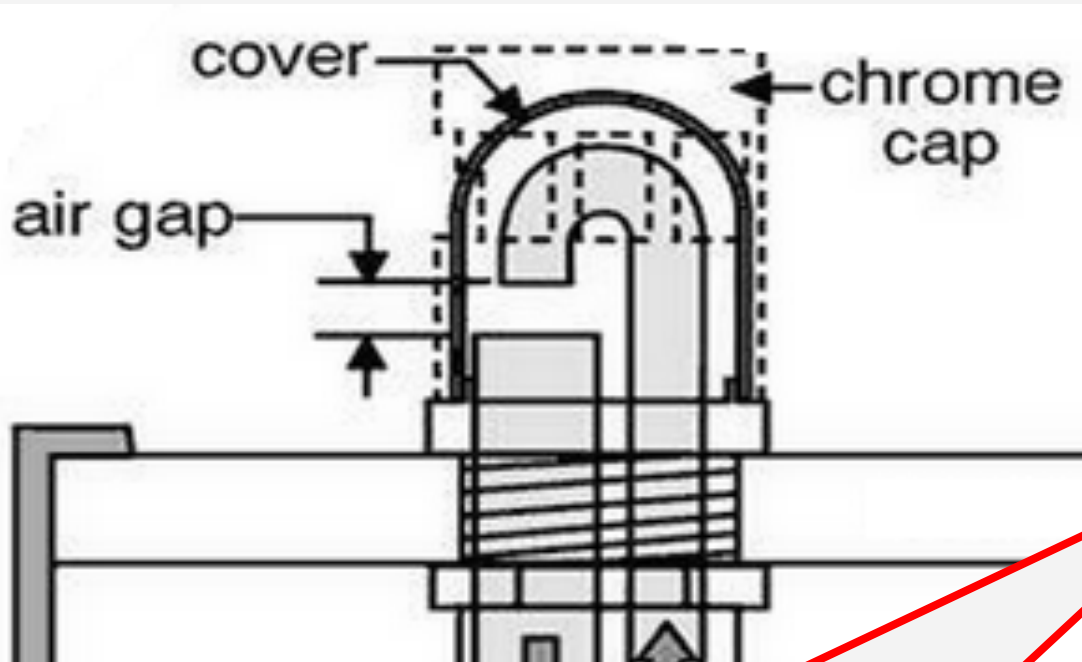
This document is a
sample from the Home
Inspections
Fundamentals class

Learn more about
becoming a Licensed
Home Inspector at
Sophi.biz

Kitchen Sink - Dishwashers

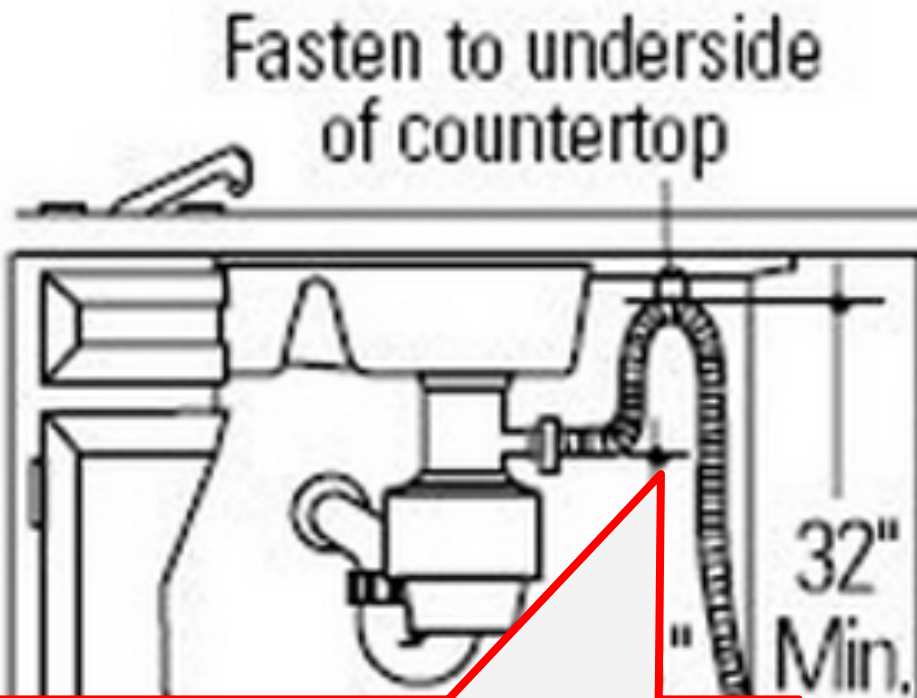


Kitchen Sink - Dishwashers



Assure the openings
are turned to the sink
before you try the
dishwasher

Dishwashers - High Loop Install



In some jurisdictions a high loop secured under the counter is acceptable

As a home inspector, you **are not a code inspector**, remember you are reporting **“best practices”**. A high loop may be acceptable, but an actual air gap is preferred.

Thank You

Learning today
Leading tomorrow



**School of
Professional
Home Inspection**

See more homeowner tips and information on becoming a Licensed Home Inspector at

Sophi.biz